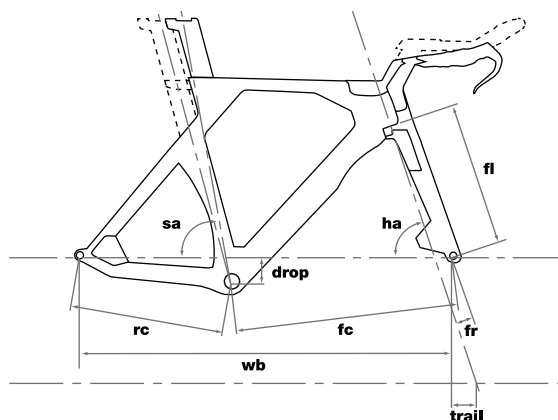


TIMEMACHINE 01 Disc

Frame	Timemachine 01 Disc Premium Carbon with Vmax Aero Design & P2P positioning System <ul style="list-style-type: none"> • Internal Di2 battery mount • PF86 bottom bracket & Slidin' Dropout • Rear Storage Box • Aero Caliper Cover • Flat mount disc • 12x142 mm thru-axle
Fork	Timemachine 01 Disc Premium Carbon with Vmax Aero Design, Hinge Design <ul style="list-style-type: none"> • Aero Caliper Cover • Flat mount disc design • 12x100 mm thru-axle
Seatpost	Timemachine 01 Premium Carbon Vmax Aero Seatpost <ul style="list-style-type: none"> • 62 mm Adjustable offset • P2P Dual-Mount Aeropost Configuration (For TT or Triathlon)



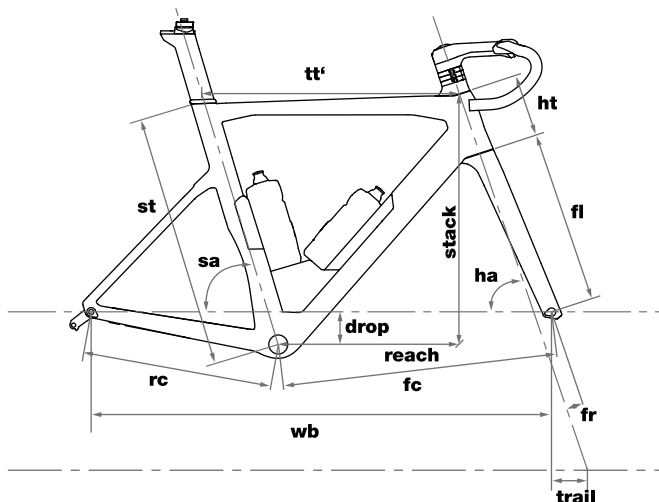
TIMEMACHINE 01 DISC

Size	S	M-S	M-L
Rider Height cm	<170	172-180	178-188
Stack	480	515	515
Reach	393	377	418
Seat Tube (st)	495	550	550
Top Tube (tt')	0	0	0
Head Tube (ht)	0	0	0
Seat Angle ° (sa)	71.5 - 80.8	71.5 - 80.8	71.5 - 80.8
Head Angle ° (ha)	71.5	71.5	71.5
Rear Center (rc)	400	400	400
Front Center (fc)	580	578	619
Wheelbase (wb)	972	968	1009
BB Drop (drop)	58	68	68
Fork Length (fl)	374	374	374
Fork Rake (fr)	45	45	45
Trail	60	60	60
Crank Length	165	170	170
Stem Length	p2p	p2p	p2p
Stem Angle°	p2p	p2p	p2p
Seatpost Offset	27/ 9 / -9 / -27	27/ 9 / -9 / -27	27/ 9 / -9 / -27
Standover Height	755	797	797
Saddle Height Range	630 - 780	660 - 850	660 - 850
Pad Stack V-Cockpit	593 - 643	616 - 665	616 - 665
Pad Reach V-Cockpit	366 - 530	359 - 522	400 - 563
Base Bar Reach V-Cockpit	617	611	652
Base Bar Drop V-Cockpit	85	85	85
Pad Stack Flat Cockpit	535 - 610	555 - 630	555 - 630
Pad Reach Flat Cockpit	388 - 474	381 - 467	422 - 508
Base Bar Reach Flat Cockpit	619	612	653
Base Bar Drop Flat Cockpit	+/- 80	+/- 80	+/- 80

※ 特記がない場合は、mm単位での表記となります。

TIMEMACHINE Road 01

Frame	Timemachine Road 01 Premium Carbon with Aero Module, Tuned Compliance Concept Speed <ul style="list-style-type: none"> • ICS Aero, stealth cable routing • Integrated Aerocore bottle cages • PF86 bottom bracket • Integrated seatpost binder • Flat mount disc • 12x142 mm thru-axle
Fork	Timemachine Road 01 Premium Carbon with Integrated Aero Cover, Tuned Compliance Concept Speed <ul style="list-style-type: none"> • ICS technology, stealth cable routing • Flat mount disc design • 12x100 mm thru-axle • 48 mm offset (size 47-51), 43 mm offset (size 54-61)
Seatpost	Timemachine Road 01 Premium Carbon Aero Shape Seatpost <ul style="list-style-type: none"> • 0, 15, 30 mm Adjustable offset



TIMEMACHINE ROAD 01

Size	47	51	54
Rider Height cm	<166	166-174	172-180
Stack	496	520	540
Reach	373	381	390
Seat Tube (st)	480	518	548
Top Tube (tt')	520	535	550
Head Tube (ht)	88	113	135
Seat Angle ° (sa)	73.5	73.5	73.5
Head Angle ° (ha)	71.2	71.2	72
Rear Center (rc)	410	410	410
Front Center (fc)	577	592	594
Wheelbase (wb)	975	991	994
BB Drop (drop)	70	70	70
Fork Length (fl)	379	379	374
Fork Rake (fr)	50	50	45
Trail	62	62	62
Crank Length	170	170	172.5
Stem Length (ICS Aero)	100	100	110
Stem Angle° (ICS Aero)	-15	-15	-15
Bar Width	400	420	420
Bar Drop (ICS Aero)	122	122	122
Bar Reach (ICS Aero)	66	66	66
Seatpost Length	210	210	270
Seatpost Offset	0-15-30	0-15-30	0-15-30
Standover Height	743	774	799

※ 特記がない場合は、mm単位での表記となります。