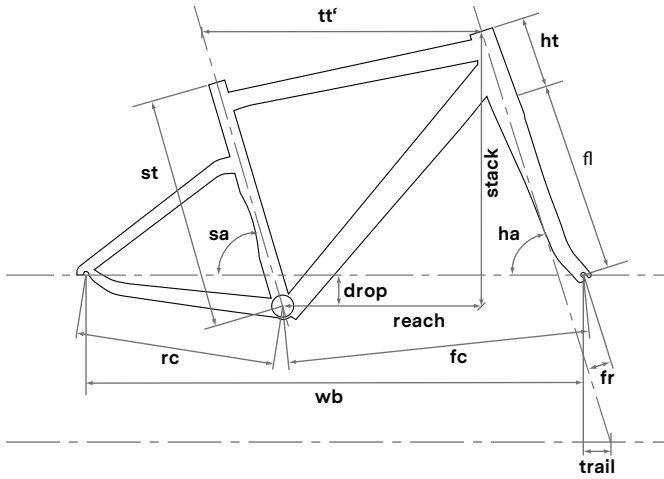


※ 特記がない場合は、mm単位での表記となります。

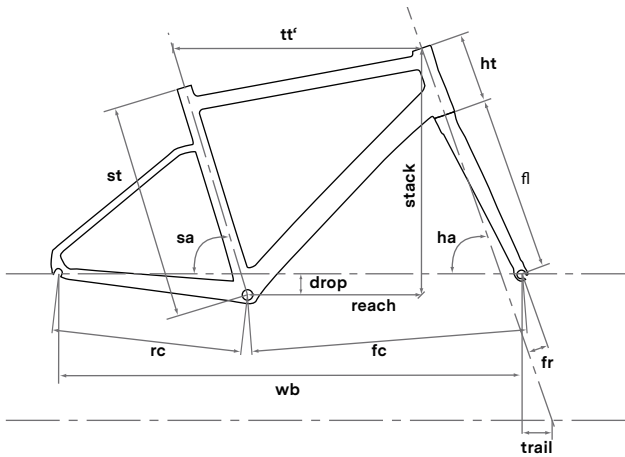
## ALPENCHALLENGE 01 Geometry



Size	S	M
Rider Height cm	<168	168-180
Stack	533	571
Reach	390	406
Seat Tube (st)	440	485
Top Tube (tt')	547	575
Head Tube (ht)	100	140
Seat Angle ° (sa)	73.5	73.5
Head Angle ° (ha)	72	72
Rear Center (rc)	412	412
Front Center (fc)	591	620
Wheelbase (wb)	992	1022
BB Drop (drop)	71	71
Fork Length (fi)	400	400
Fork Rake (fr)	45	45
Trail	63	63
Crank Length	170	170
Stem Length	80	80
Stem Angle° (Version Belt Drive)	-5	-5
Stem Angle° (Version Chain Drive)	±8	±8
Bar Width (Version Belt Drive)	620	620
Bar Width (Version Chain Drive)	600	600
Bar Rise	0	0
Bar Sweep°	9	9
Seatpost Length	350	350
Seatpost Offset	10	10
Seatpost Drop		
Standover Height	724	767

※ 特記がない場合は、mm単位での表記となります。

## ALPENCHALLENGE Geometry



Size	S	M
Rider Height cm	<168	168-180
Stack	530	571
Reach	390	405
Seat Tube (st)	440	510
Top Tube (tt')	552	585
Head Tube (ht)	122	165
Seat Angle ° (sa)	73	72.5
Head Angle ° (ha)	71	71
Rear Center (rc)	436	436
Front Center (fc)	608	637
Wheelbase (wb)	1039	1068
BB Drop (drop)	50	50
Fork Length (fi)	405	405
Fork Rake (fr)	48	48
Trail	68	68
Crank Length (Version Belt Drive)	170	170
Crank Length (Version Chain Drive)	170	170
Stem Length	90	90
Stem Angle°	±8	±8
Bar Width	600	600
Bar Rise	0	0
Bar Sweep°	9	9
Seatpost Length	350	350
Seatpost Offset	15	15
Seatpost Drop		
Standover Height	740	797