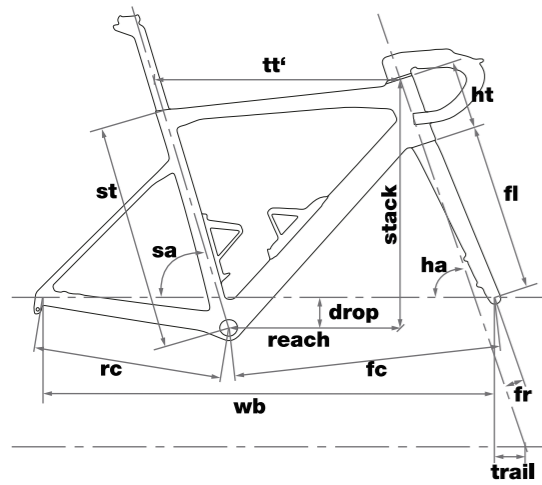


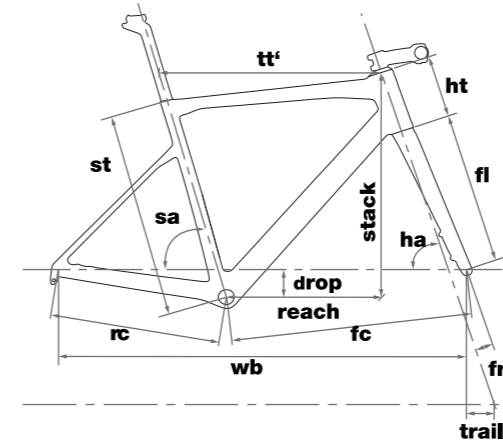
TEAMMACHINE SLR01

Frame	Teammachine SLR 01 Premium Carbon with Aerocore Design <ul style="list-style-type: none"> • ICS technology, stealth cable routing • Integrated Aerocore bottle cages • Stealth dropout design • TCC Race compliance level • PF86 bottom bracket • Integrated seatpost binder • Flat mount disc • 12x142 mm thru-axle
Fork	Teammachine SLR 01 Premium Carbon <ul style="list-style-type: none"> • ICS technology, stealth cable routing • TCC Race compliance level • Stealth dropout design • Flat mount disc design for only 160mm Rotor • 12x100 mm thru-axle • 48 mm offset (size 47-51) • 43 mm offset (size 54-61)
Seatpost	Teammachine SLR 01 Premium Carbon D-Shape Seatpost <ul style="list-style-type: none"> • 15 mm offset



TEAMMACHINE SLR01 - ICS CARBON

Size	47	51	54	56
Rider Height cm	<166	166-174	172-180	178-186
Stack	506	530	550	565
Reach	367	377	386	392
Seat Tube (st)	423	468	504	524
Top Tube (tt')	517	534	549	559
Head Tube (ht)	110	130	145	165
Seat Angle ° (sa)	73.5	73.5	73.5	73.5
Head Angle ° (ha)	71.5	71.5	72.3	72.3
Rear Center (rc)	410	410	410	410
Front Center (fc)	568	586	589	599
Wheelbase (wb)	968	986	989	1000
BB Drop (drop)	69	69	69	69
Fork Length (fl)	368	368	368	368
Fork Rake (fr)	48	48	43	43
Trail	63	63	63	63
Crank Length	170	170	172.5	172.5
Stem Length (ICS Carbon)	90	100	100	110
Stem Angle ° (ICS Carbon)	-12.5	-12.5	-12.5	-12.5
Bar Width	400	420	420	420
Bar Drop (ICS Carbon)	127	127	127	127
Bar Reach (ICS Carbon)	67	67	67	67
Seatpost Length	330	380	380	380
Seatpost Offset	15	15	15	15
Standover Height	717	752	779	797

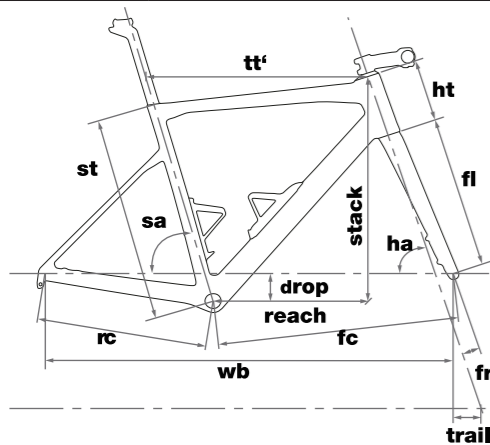


TEAMMACHINE ALR

Frame	Teammachine ALR Disc Premium Aluminium with TCC Race compliance <ul style="list-style-type: none"> • Triple-buttet, Hydroformed, Smoothweld • BSA(68mm) bottom bracket • Internal Cable Routing • Flat mount disc • 12x142 mm thru-axle
Fork	Teammachine SLR Carbon (3rd Gen.) <ul style="list-style-type: none"> • TCC Race compliance level • Flat mount disc • 12x100 mm thru-axle
Seatpost	Teammachine SLR Carbon D-Shape Seatpost <ul style="list-style-type: none"> • 15 mm offset

TEAMMACHINE SLR

Frame	Teammachine SLR Carbon with Aerocore Design <ul style="list-style-type: none"> • Stealth dropout design • TCC Race compliance level • PF86 bottom bracket • Integrated seatpost binder • Flat mount disc • 12x142 mm thru-axle
Fork	Teammachine SLR Carbon <ul style="list-style-type: none"> • TCC Race compliance level • Stealth dropout design • Flat mount disc design for only 160mm Rotor • 12x100 mm thru-axle • 48 mm offset (size 47-51), • 43 mm offset (size 54-61)
Seatpost	Teammachine SLR Carbon D-Shape Seatpost <ul style="list-style-type: none"> • 15 mm offset



TEAMMACHINE SLR01 / SLR -ICS2 or Classic Stem

Size	47	51	54	56
Rider Height cm	<166	166-174	172-180	178-186
Stack	506	530	550	565
Reach	367	377	386	392
Seat Tube (st)	423	468	504	524
Top Tube (tt')	517	534	549	559
Head Tube (ht)	110	130	145	165
Seat Angle ° (sa)	73.5	73.5	73.5	73.5
Head Angle ° (ha)	71.5	71.5	72.3	72.3
Rear Center (rc)	410	410	410	410
Front Center (fc)	568	586	589	599
Wheelbase (wb)	968	986	989	1000
BB Drop (drop)	69	69	69	69
Fork Length (fl)	368	368	368	368
Fork Rake (fr)	48	48	43	43
Trail	63	63	63	63
Crank Length	170	170	172.5	172.5
Stem Length	90	90	100	110
Stem Angle°	±8	±8	±8	±8
Bar Width	400	420	420	420
Bar Drop	125	125	125	125
Bar Reach	70	70	70	70
Seatpost Length	330	380	380	380
Seatpost Offset	15	15	15	15
Standover Height	717	752	779	797

※ 特記がない場合は、mm単位での表記となります。

TEAMMACHINE ALR

Size	47	51	54	57
Rider Height cm	<168	166-174	172-180	178-186
Stack	515	539	559	583
Reach	365	374	383	391
Seat Tube (st)	442	505	535	565
Top Tube (tt')	518	534	549	564
Head Tube (ht)	118	138	157	182
Seat Angle ° (sa)	73.5	73.5	73.5	73.5
Head Angle ° (ha)	70.5	72	72.5	72.5
Rear Center (rc)	410	410	410	410
Front Center (fc)	571	575	585	601
Wheelbase (wb)	971	975	985	1001
BB Drop (drop)	69	69	69	69
Fork Length (fl)	369	369	369	369
Fork Rake (fr)	41.6	41.6	41.6	41.6
Trail	76	66	63	63
Crank Length	170	170	172.5	172.5
Stem Length	90	100	110	110
Stem Angle°	±8	±8	±8	±8
Bar Width	400	420	420	420
Bar Drop	125	125	125	125
Bar Reach	70	70	70	70
Seatpost Length	300	330	330	330
Seatpost Offset	15	15	15	15
Standover Height	705	751	778	804

※ 特記がない場合は、mm単位での表記となります。